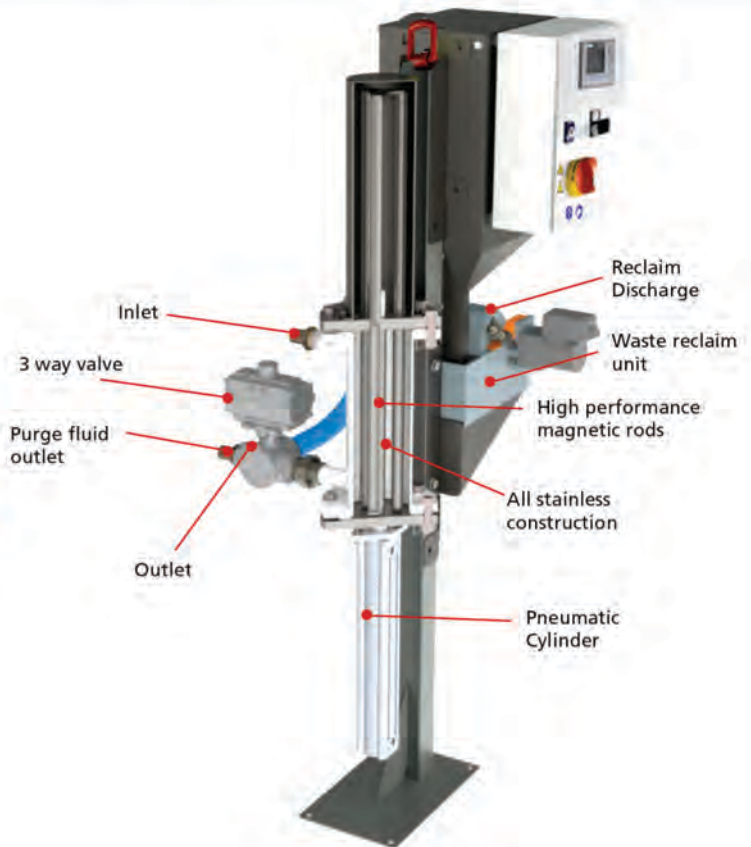


# Autofiltrex



\*Waste reclaim unit

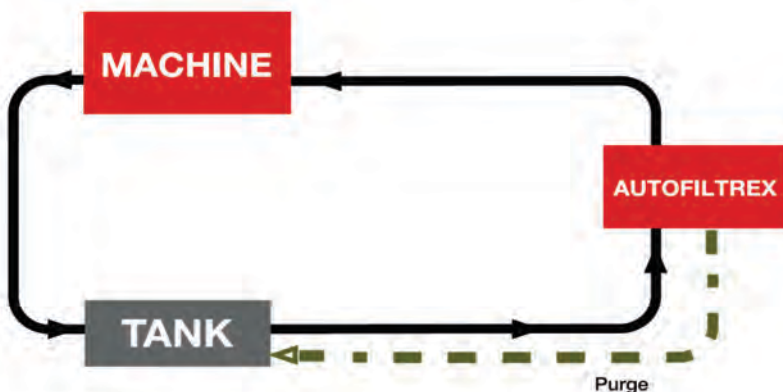


Inlet  
3 way valve  
Purge fluid outlet  
Outlet  
Reclaim Discharge  
Waste reclaim unit  
High performance magnetic rods  
All stainless construction  
Pneumatic Cylinder

The latest generation in cost-effective fluid filtration. Fully automated operating & cleaning. Provides huge cost savings in fluids & filter consumables.

## Typical applications

Autofiltrex is ideal for most ferrous machining applications such as grinding, honing, lapping, forming and quenching processes. It can be also utilised in wash station applications.



## Benefits

- Cleaner fluid delivery to the machine
- Reduced expenditure on filter media
- Fully automated cleaning
- Reduced waste disposal
- Increased fluid lifespan
- Improved surface finish and accuracy
- 24/7 uninterrupted filtration
- Minimal space required



Contact Eclipse Magnetics Authorised Distributor



African Group Lubricants  
011 824 0560 www.aglubricants.co.za  
orders@aglubricants.co.za



## How Autofiltrex works

Autofiltrex works in-line, taking dirty fluid from the holding tank and delivering clean polished fluid to the tool/workpiece contact point. As fluid flows through the Autofiltrex cylinder, high intensity magnetic circuits extract ferrous contamination particles.

When the magnets reach saturation point, a timed automated purging process lifts the magnetic cores from the housing thereby releasing contamination. This is simultaneously diverted via a 3-way valve to the reclaim unit (or when using AF1 to a purge or holding tank). The unit can be set to purge at timed intervals or be manually executed.

\* AF1 unit is not supplied with a reclaim unit.

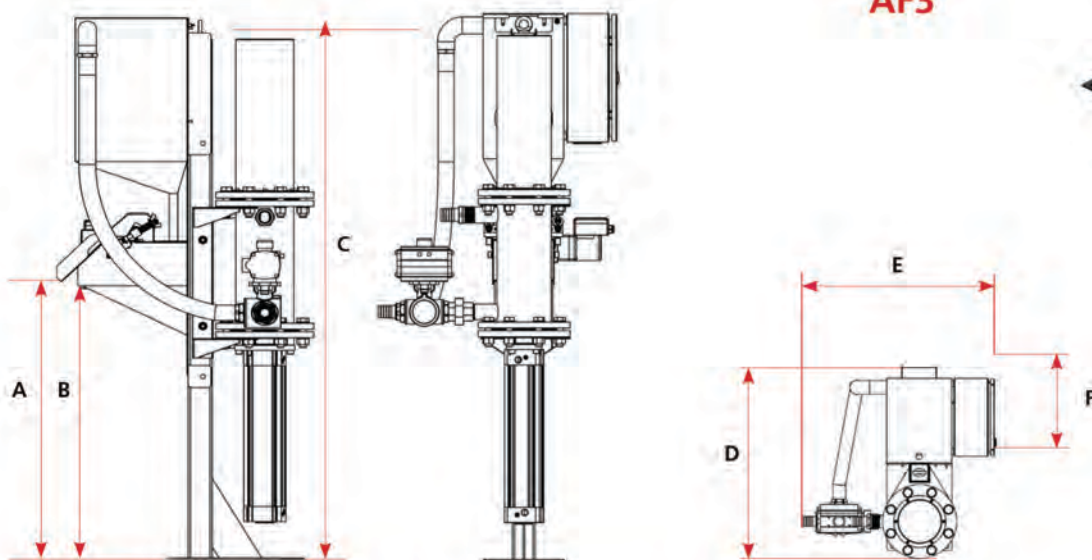


AF1

AF3

AF5

## Technical Data



Product number	Flow rate ltrs/min.	Number of magnetic rods	Magnetic Strength gauss	Connections mm	Contamination Capacity kgs	Weight kg	Dimensions mm					
							A	B	C	D	E	F
AF1	60	1	9,000	19	1	30	N/A	N/A	1504	250	N/A	210
AF3-RC	150	3	9,000	31	3	122	872	852	1701	717	698	300
AF5-RC	200	5	9,000	38	5	145	872	852	1701	747	747	300

Product number	Inlet Hosetail ID mm	Outlet Hosetail ID mm	Purge Hosetail ID mm	Materials (wet parts) ss	Air Connection mm	Min Air Pressure Bar	Max Air Pressure Bar	Max Fluid Pressure Bar	Unboxed Weight Kg
AF1	19	19	19	304	8	6	10	10	30
AF3-RC	31	31	50	304	8	6	10	10	122
AF5-RC	38	38	50	304	8	6	10	10	145

Contact Eclipse Magnetics Authorised Distributor



African Group Lubricants  
011 824 0560 www.aglubricants.co.za  
orders@aglubricants.co.za

