

## High intensity magnetic filter

Filtramag+ is a high performance magnetic filter with full stainless steel construction which makes it suitable for use in a variety of industry sectors and applications.

- Patented design
- Easy installation
- Unique dual flow technology™ – maximises collection capability
- Operates at up to 20 bar
- Removes both magnetic and non-magnetic contamination
- Minimal pressure drop
- In-line connections
- Ideal for use in harsh chemical environments

### Dual flow technology™

Filtramag+ is the most efficient filter of its type. The dual chambered design means that fluid is exposed to the high intensity magnets for the maximum time thus ensuring almost 100% of contamination is removed on first pass through the filter. The patented magnetic circuit on the 4,000 gauss version design ensures that the filter can never block even in high contamination applications.

### Magnetic core options

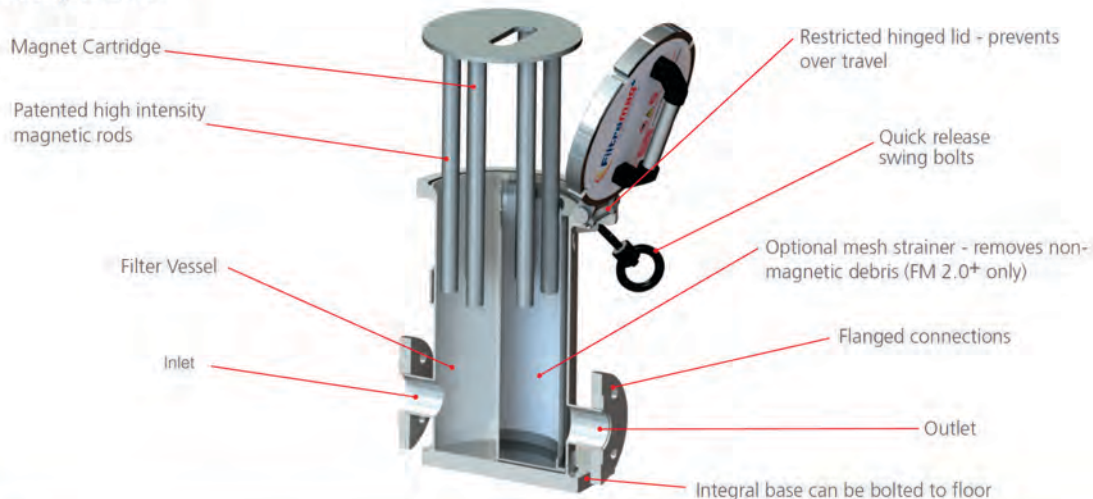
High intensity magnetic cores ensure particle filtration down to sub-micron size. For standard machining or wash system applications a 4,000 gauss magnetic core pack is available. For applications which involve lower magnetically permeable materials e.g. Cast Iron and Carbide or require an ultra-precise surface finish an 11,000 gauss magnetic core pack is available.

### Benefits

Using fully filtered fluids, free from ferrous particles provides:-

- Improved surface finish
- Cost savings on disposable filtration media
- Extended fluid lifespan
- Reductions in waste disposal
- Longer lasting tools and machinery

### Filtramag+ Components



### Suitable fluids

Oil, coolants, fuel, ink, paint, chemicals.

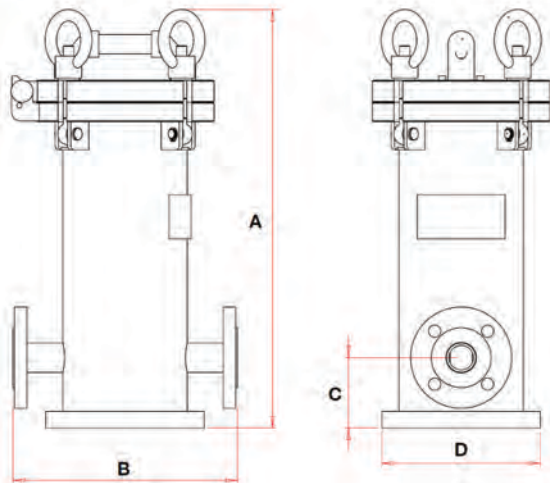
### Suitable locations

Pre & Post fluid holding tank, machine or process

### Typical applications

- With carbide or cast iron materials
- General machining operations
- Inks/paints
- Wash systems
- Diesel/petrol
- Slurry/glazes

## Technical Data



Product number	Max. flow rate litres/min	Contamination capacity kgs	Max. operating pressure bar	Connection PN16 flange	Weight* Kg	Dimensions mm			
						A	B	C	D
FM1.5 <sup>+</sup>	250	3	20	1½"	30.5	475	255	100	180
FM2.0 <sup>+</sup>	500	6	20	2"	54	522	330	100	250

\*Weight includes vessel & cartridge

## Part Numbers (including spares)

Part Number	Description
FM1.5 <sup>+</sup>	FM1.5 <sup>+</sup> unit with 4,000 magnet cartridge, cleaning tool & cleaning tray
FM2.0 <sup>+</sup>	FM2.0 <sup>+</sup> unit with 4,000 magnet cartridge, cleaning tool & cleaning tray
FM1.5 <sup>+</sup> /11K	FM1.5 <sup>+</sup> unit with 11,000 magnet cartridge, cleaning tool & cleaning tray
FM2.0 <sup>+</sup> /11K	FM2.0 <sup>+</sup> unit with 11,000 magnet cartridge, cleaning tool & cleaning tray
FM1.5 <sup>+</sup> /MC	4,000 magnet cartridge for FM1.5 <sup>+</sup> units
FM2.0 <sup>+</sup> /MC	4,000 magnet cartridge for FM2.0 <sup>+</sup> units
FM1.5 <sup>+</sup> /MC11K	11,000 magnet cartridge for FM1.5 <sup>+</sup> units
FM2.0 <sup>+</sup> /MC11K	11,000 magnet cartridge for FM2.0 <sup>+</sup> units
FM2.0 <sup>+</sup> /MB0.5	Optional 0.5mm mesh basket for FM2.0 <sup>+</sup> units
FM2.0 <sup>+</sup> /MB1.0	Optional 1.0mm mesh basket for FM2.0 <sup>+</sup> units
FM1.5 <sup>+</sup> /VS	Spare Viton seal for FM1.5 <sup>+</sup> units
FM2.0 <sup>+</sup> /VS	Spare Viton seal for FM2.0 <sup>+</sup> units

## Magnetic Performance

**Maximum Pressure** 20 bar  
**Magnetic Performance** Standard option 4,000 gauss,  
 high intensity option 11,000 gauss

**Magnet material** Rare earth neodymium iron boron  
 NdFeB

**Magnet grade** N35 (Standard option)  
 N45 (High intensity option)

**Temperature** -5°C to 80°C

## Materials

**Housing** 304 Grade Stainless Steel  
**Lid** 304 Grade Stainless Steel  
**Tube** 316 Grade Stainless Steel  
**Surface finish** External-powder coated  
**Sealing** Viton O-ring

**Mesh strainer** 304 Grade Stainless Steel  
**Swing bolts** High tensile steel  
**Cleaning Tool** Stainless steel  
**Mesh strainer options (FM2.0<sup>+</sup> only)** 0.5mm and 1mm aperture size

Contact Eclipse Magnetics Authorised Distributor



**African Group Lubricants**  
 011 824 0560 www.aglubricants.co.za  
 orders@aglubricants.co.za